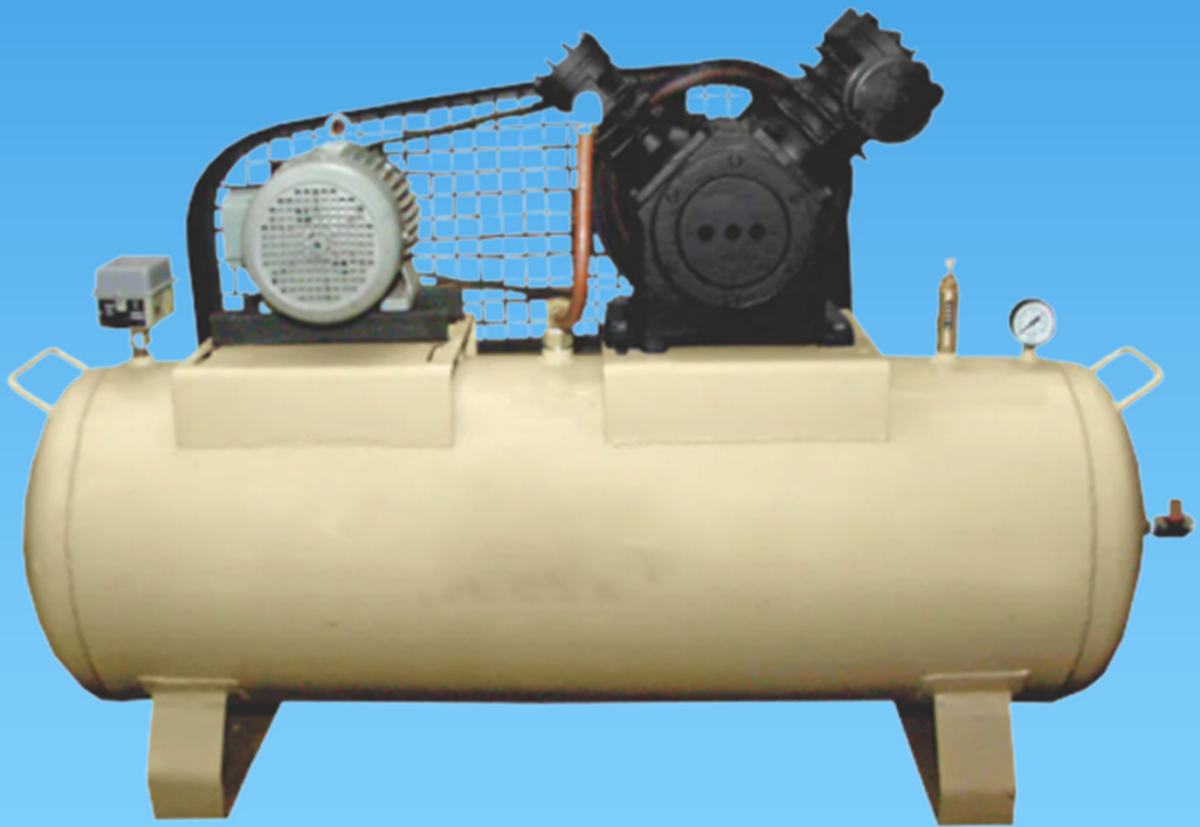


AIR COMPRESSOR MANUAL



Vavdi Survey no. 28, Shivam Industrial Area, Street No.3 Plot No.7, Near Sunny Raj Metal,
Rajkot - 360004, Gujarat (India). Email us : sohamlathe@gmail.com

For Your Own Safety Read Instruction Manual Before Operating This Equipment:

The purpose of safety symbols is to attract your attention to possible hazardous conditions. This manual uses a series of symbols and signal words which are intended to convey the level of importance of the safety messages. The progression of symbols is described below. Remember that safety messages by themselves do not eliminate danger and are not a substitute for proper accident prevention measures.

Safety Instructions for Pneumatic Tools:

READ THROUGH THE ENTIRE MANUAL BEFORE STARTING MACHINERY. Machinery presents serious injury hazards to untrained users.

ALWAYS USE ANSI APPROVED SAFETY GLASSES WHEN OPERATING MACHINERY. Everyday eyeglasses only have impact resistant lenses, they are NOT safety glasses.

ALWAYS WEAR AN ANSI APPROVED RESPIRATOR WHEN OPERATING MACHINERY THAT PRODUCES DUST. Wood dust is a carcinogen and can cause cancer and severe respiratory illnesses.

ALWAYS USE HEARING PROTECTION WHEN OPERATING MACHINERY. Machinery noise can cause permanent hearing damage.

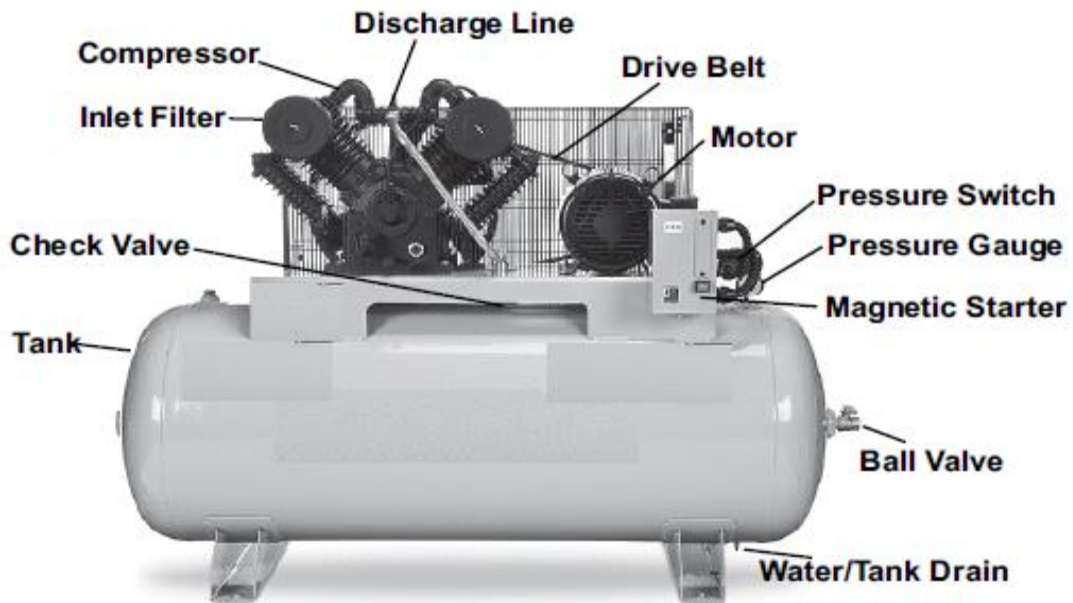
WEAR PROPER APPAREL. DO NOT wear loose clothing, gloves, neckties, rings, or jewelry which may get caught in moving parts. Wear protective hair covering to contain long hair and wear non-slip footwear.

NEVER OPERATE MACHINERY WHEN TIRED, OR UNDER THE INFLUENCE OF DRUGS OR ALCOHOL. Be mentally alert at all times when running machinery.

KEEP CHILDREN AND VISITORS AWAY. Keep all children and visitors a safe distance from the work area.

NEVER LEAVE UNATTENDED TOOL CONNECTED TO AIR. DO NOT leave before relieving the tool of air pressure and disconnecting it from the air hose.

DO NOT USE IN DANGEROUS ENVIRONMENTS. DO NOT use in damp, wet locations, or where flammable or noxious fumes may exist.



Additional Safety Instructions for Air Compressors:

AIR NOZZLE. Never aim an air nozzle directly at yourself or others. Compressed air can break the skin, or enter the bloodstream through soft tissue or a cut, and cause a stroke or death.

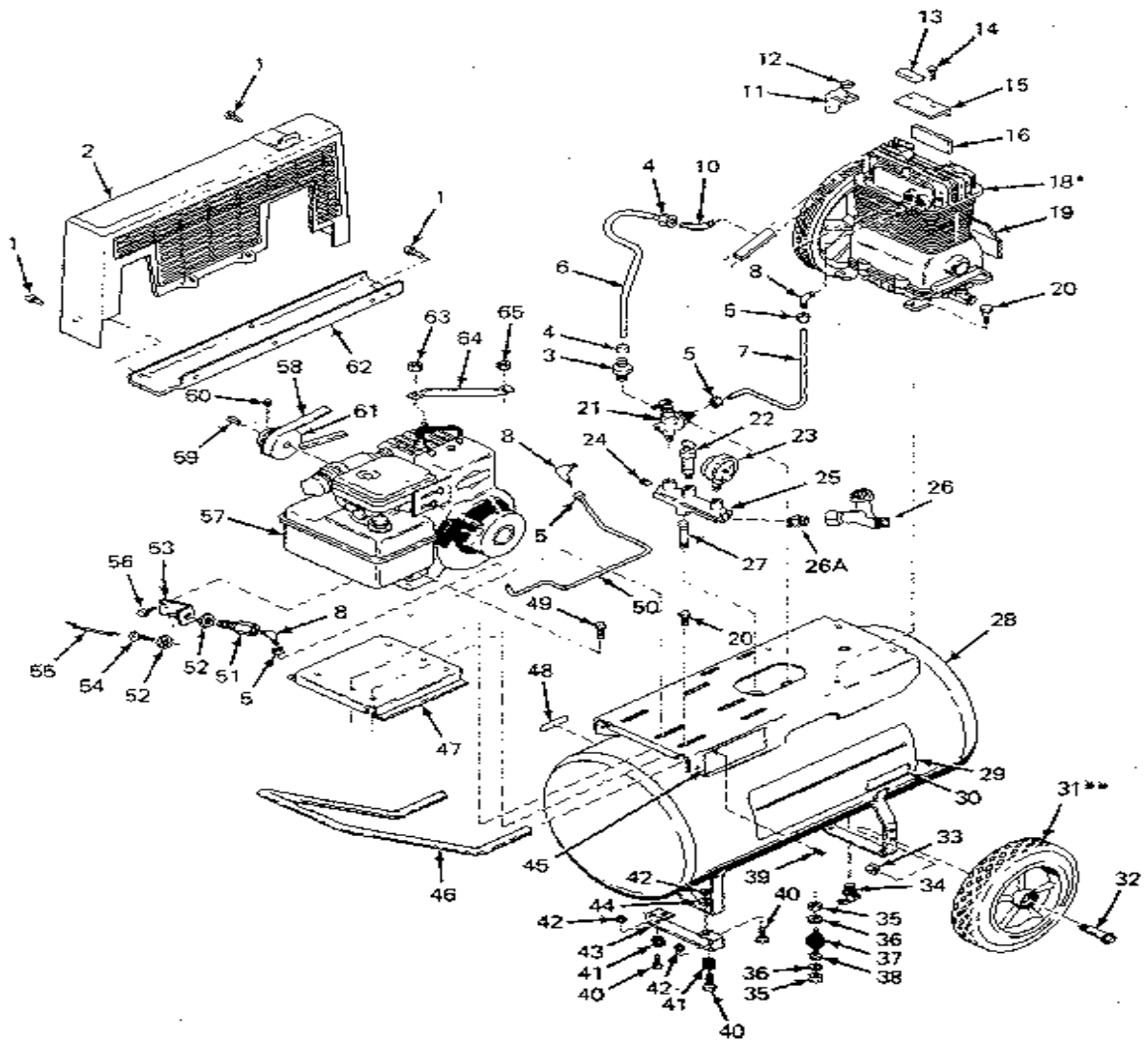
AIR COMPRESSOR STORAGE. DO NOT store the compressor while plugged into power. If a leak develops, the compressor may run continuously, causing overheating and possibly a fire.

AIR HOSE. Make sure your air hose has a PSI rating exceeding the maximum PSI of your compressor, is in good condition, and is long enough to reach your work without stretching. Make sure the air lines and power cord do not come in contact with sharp or abrasive objects.

TANK CORROSION. Drain the tank after each use to prevent corrosion and possible tank rupture. Inspect the tank for unsafe conditions such as rust, pin holes and cracks. NEVER weld or drill holes in an air tank.

SAFETY VALVE OR PRESSURE SWITCHES. NEVER adjust safety valve or pressure switch to allow the compressor to build higher PSI than rated. Keep safety valve free from paint and other accumulations to provide safety against over-pressure.

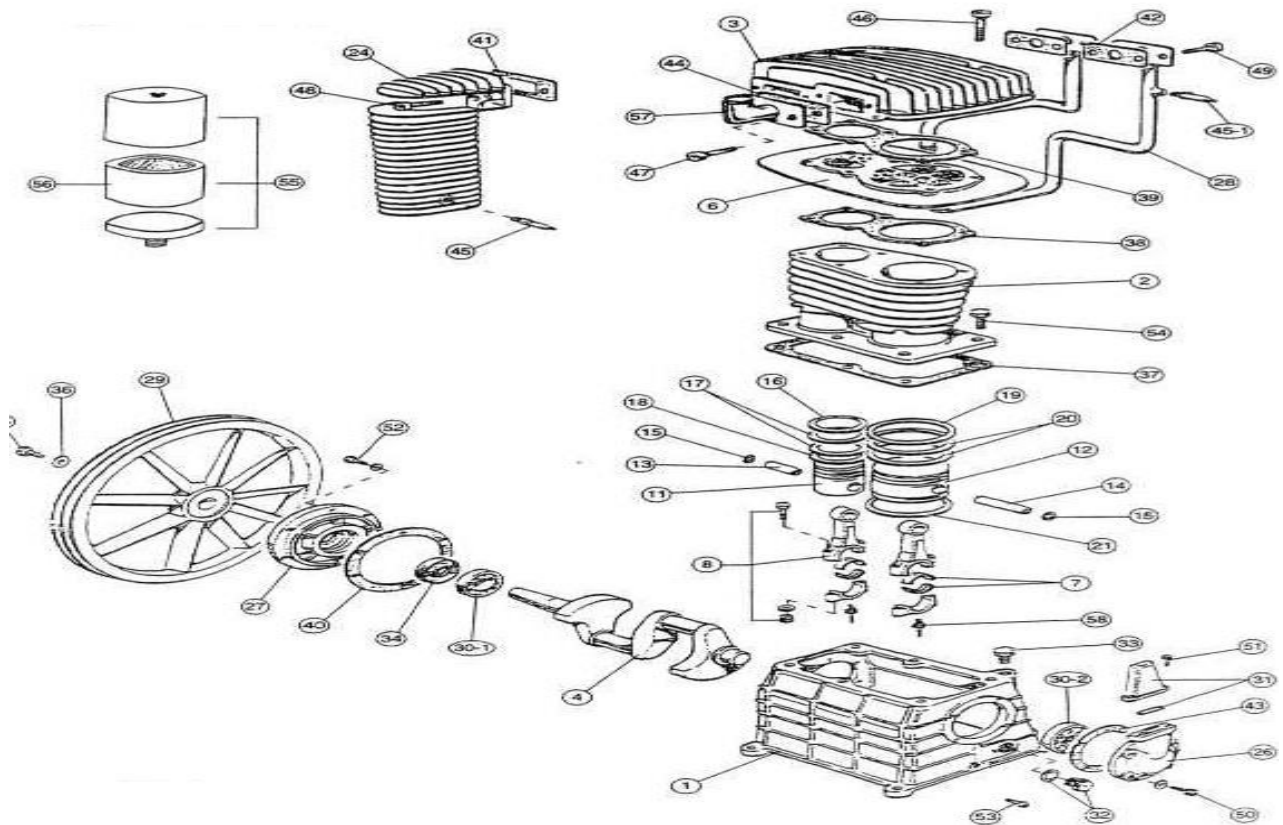
COMPRESSED AIR USE. Do not use the compressor for filling breathing or diving tanks. Compressed air from this compressor cannot be used for pharmaceutical, food or health applications



Assembly:-

Remove all packing materials and any protective plastic bags, zip tie labels or tags from the compressor.

Add compressor oil, non-detergent oil, to the crankcase. Remove the oil breather on top of the crankcase and add oil into the hole. The oil level should be in the center of the sight glass.



Operation Safety:

Place the compressor on a solid, level surface with access to a properly fused power supply. DO NOT operate the compressor in an environment where there are explosive, flammable, or caustic fumes or gases.

Make sure the compressor switch is in the OFF position (lever with red cap shown before connecting to the power supply).

Double check the oil level to make sure the oil reservoir is full.

Connect the compressor to the power supply.

Leave the drain valve open, flip the switch to the AUTO position and allow the compressor to run for 5 minutes before completing.

Storage:

Turn the compressor switch lever to OFF.

Unplug the compressor.

Turn the regulator counter clockwise to set the line pressure to zero.

Run the air tool to relieve the air pressure in the hose, then remove the air hose and the tool.